

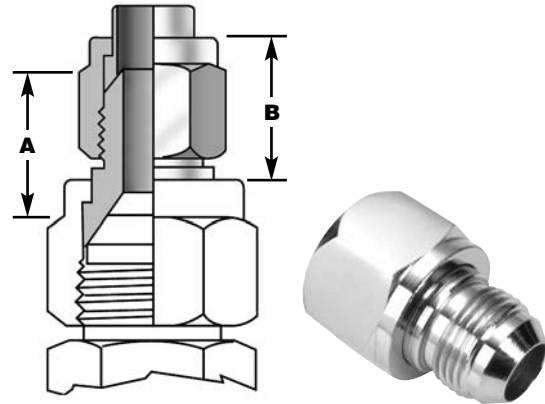
ADAPTERS

STEEL PIPE FITTINGS

3145 / 3140 • Flare Tube End Reducers

Reducer Only	Part No.	Tube End Reduction	"A" Length Between Flare Noses	"B" Length Between Nut Shoulders
3145-5-4	3140-5-4	5/16" To 1/4"	13/16"	23/32"
3145-6-4	3140-6-4	3/8" To 1/4"	29/32"	27/32"
3145-8-4	3140-8-4	1/2" To 1/4"	29/32"	25/32"
3145-8-5	3140-8-5	1/2" To 5/16"	29/32"	27/32"
3145-8-6	3140-8-6	1/2" To 3/8"	29/32"	27/32"
3145-10-4	3140-10-4	5/8" To 1/4"	15/16"	3/4"
3145-10-6	3140-10-6	5/8" To 3/8"	15/16"	13/16"
3145-10-8	3140-10-8	5/8" To 1/2"	1"	31/32"
3145-12-4	3140-12-4	3/4" To 1/4"	31/32"	7/8"
3145-12-6	3140-12-6	3/4" To 3/8"	31/32"	29/32"
3145-12-8	3140-12-8	3/4" To 1/2"	11/16"	11/32"
3145-12-10	3140-12-10	3/4" To 5/8"	11/32"	11/8"
3145-14-6	3140-14-6	7/8" To 3/8"	1"	7/8"
3145-14-8	3140-14-8	7/8" To 1/2"	13/32"	1"
3145-14-10	3140-14-10	7/8" To 5/8"	13/16"	15/32"
3145-14-12	3140-14-12	7/8" To 3/4"	17/32"	13/16"
3145-16-5	3140-16-5	1" To 5/16"	1"	29/32"
3145-16-6	3140-16-6	1" To 3/8"	11/32"	7/8"
3145-16-8	3140-16-8	1" To 1/2"	15/32"	11/32"
3145-16-10	3140-16-10	1" To 5/8"	11/4"	13/16"
3145-16-12	3140-16-12	1" To 3/4"	11/32"	11/4"
3145-20-8	3140-20-8	1 1/4" To 1/2"	13/16"	11/8"
3145-20-12	3140-20-12	1 1/4" To 3/4"	113/32"	19/32"
3145-20-16	3140-20-16	1 1/4" To 1"	17/16"	113/32"
3145-24-8	3140-24-8	1 1/2" To 1/2"	15/16"	11/16"
3145-24-10	3140-24-10	1 1/2" To 5/8"	11/2"	17/32"
3145-24-12	3140-24-12	1 1/2" To 3/4"	11/2"	11/4"
3145-24-16	3140-24-16	1 1/2" To 1"	111/16"	13/8"
3145-24-20	3140-24-20	1 1/2" To 1 1/4"	19/16"	17/16"
3145-32-16	3140-32-16	2" To 1"	19/16"	17/16"
3145-32-20	3140-32-20	2" To 1 1/4"	111/16"	11/2"
3145-32-24	3140-32-24	2" To 1 1/2"	113/16"	13/4"

3140 FLARE TUBE END REDUCERS



Lenz Flare Tube End Reducers make possible line reductions on any leg by use of standard adapters. Saves time and simplifies tubing systems. Eliminates large inventory of special fittings and sizes and possibility of obsolescence.

Part numbers shown in table include body, nut and sleeve. For reducers without nut and sleeve order by Part Number 3145.

HB • Hex Bushings

Part No.	"A" Male Pipe Thread	"B" Female Pipe Thread	Hex Size	Length
4-2HB	1/4"	1/8"	5/8"	27/32"
6-2HB	3/8"	1/8"	3/4"	27/32"
6-4HB	3/8"	1/4"	3/4"	27/32"
8-2HB	1/2"	1/8"	7/8"	17/64"
8-4HB	1/2"	1/4"	7/8"	17/64"
8-6HB	1/2"	3/8"	7/8"	17/64"
12-2HB	3/4"	1/8"	1 1/8"	13/16"
12-4HB	3/4"	1/4"	1 1/8"	13/16"
12-6HB	3/4"	3/8"	1 1/8"	13/16"
12-8HB	3/4"	1/2"	1 1/8"	111/64"
16-4HB	1"	1/4"	1 3/8"	123/64"
16-6HB	1"	3/8"	1 3/8"	123/64"
16-8HB	1"	1/2"	1 3/8"	123/64"
16-12HB	1"	3/4"	1 3/8"	123/64"
20-4HB	1 1/4"	1/4"	1 3/4"	115/32"
20-6HB	1 1/4"	3/8"	1 3/4"	115/32"
20-8HB	1 1/4"	1/2"	1 3/4"	115/32"
20-12HB	1 1/4"	3/4"	1 3/4"	115/32"
20-16HB	1 1/4"	1"	1 3/4"	115/32"
24-4HB	1 1/2"	1/4"	2"	137/64"
24-6HB	1 1/2"	3/8"	2"	137/64"
24-8HB	1 1/2"	1/2"	2"	137/64"
24-12HB	1 1/2"	3/4"	2"	137/64"
24-16HB	1 1/2"	1"	2"	137/64"
24-20HB	1 1/2"	1 1/4"	2"	137/64"
32-6HB	2"	3/8"	2 1/2"	13/4"
32-8HB	2"	1/2"	2 1/2"	13/4"
32-12HB	2"	3/4"	2 1/2"	13/4"
32-16HB	2"	1"	2 1/2"	13/4"
32-20HB	2"	1 1/4"	2 1/2"	13/4"
32-24HB	2"	1 1/2"	2 1/2"	13/4"

HB HEX BUSHINGS

